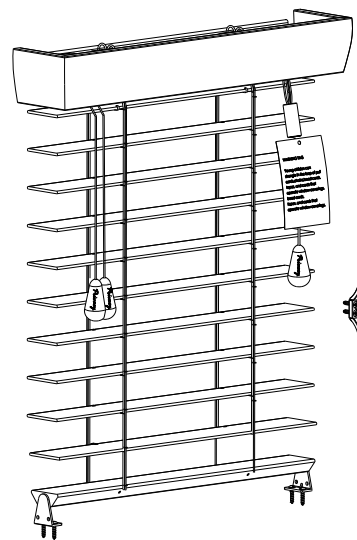


Installation & Maintenance Instructions for 50mm Privacywood blind



Getting Started

Please take a moment to review the following installation guide. Be sure to keep the packaging until the blind operates to your satisfaction.

Recommended Tools

- Measuring Tape
- Pencil
- Level
- Screwdriver
- Power drill (1/4" hex driver and drill bit)

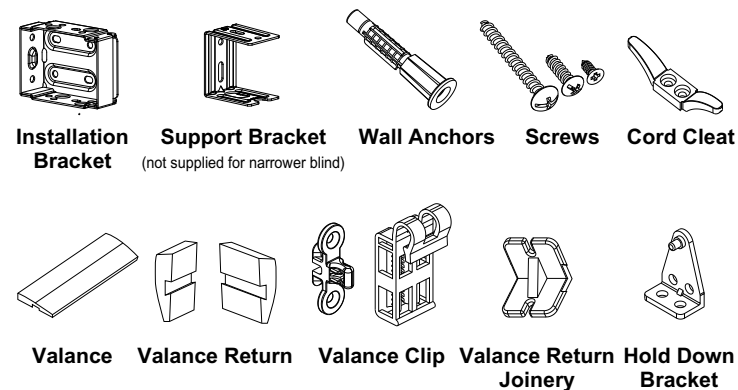


You will need to use the following fasteners for your particular mounting surfaces:

Mounting Surface	Fastener
Wood	1 1/4" Rounded Head Screw (Provided)
Drywall/Plaster	Wall Anchors, Expansion Bolts (Provided)
Metal	Sheet Metal Screws (Not Provided)

Check Hardware

Check contents to ensure that you have been supplied with the relevant fixings.

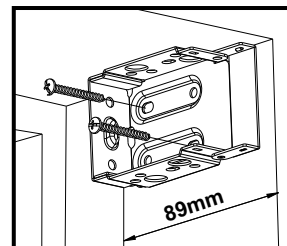


Step 1. Install Brackets

For easy installation and optimum blind operation, use a level to ensure all brackets are in alignment. If your blind comes with centre support(s), make sure they are offset from the ladder cords.

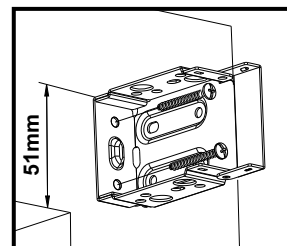
Inside Mount

- Attach the installation brackets parallel to the window casement on both sides. For fully inside mount (valance flush with window opening), the distance between the backside of the bracket and the wall needs to be at least 89mm.

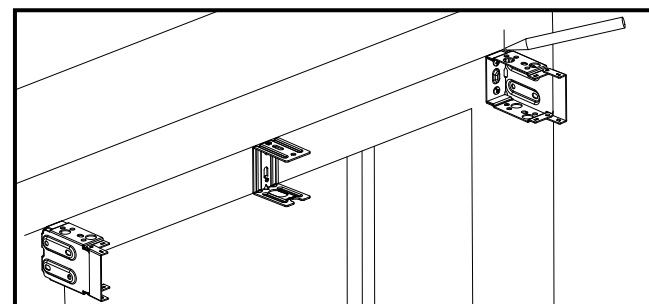


Outside Mount

- It is suggested to place the installation bracket 51mm above the window opening for proper bracket installation.

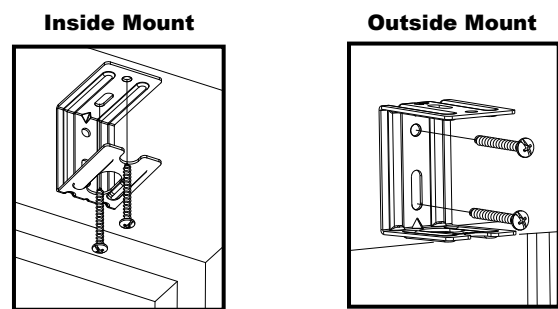


- Place the installation brackets at the desired position. Make sure the overlaps to the window opening on both sides are even. To attach, drill 2 screws through the back of each installation bracket. Recommended: Use a level to double check the brackets are at the same level.



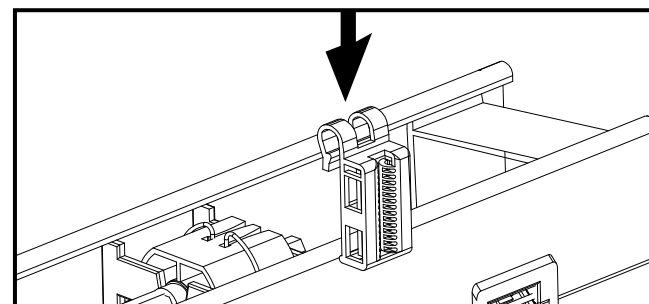
Install the support bracket(s) (if supplied)

- Evenly space the support bracket(s) between the two installation brackets and place the support bracket slightly off from the ladder cords. Make sure the top of the support bracket(s) align with the top of the installation brackets.

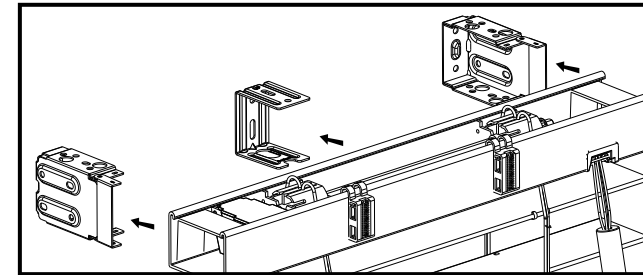


Step 2. Install the Headrail

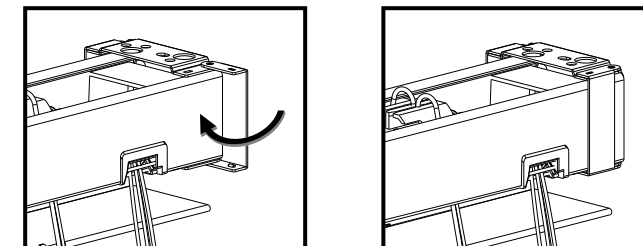
- Hook the valance clip onto the headrail and space them evenly. Make sure valance clips are not in an obstructive position with the drum support inside the headrail.



- Open the hinged door of the installation brackets and insert the headrail into the installation brackets (and support bracket(s) if supplied).

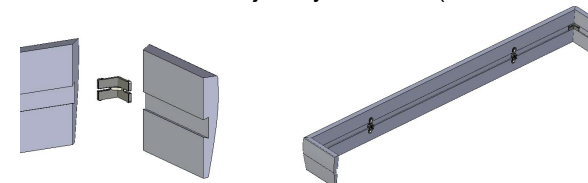


- Close the hinged door of the installation brackets.

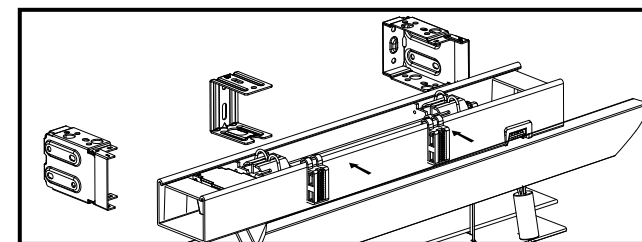


Step 3. Attach the Valance

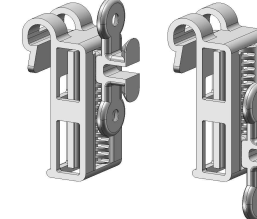
- Attach the adjustable valance clip plug into the channel on the backside of the valance. Refer to the receptor position on the headrail to decide where to position on the valance. Secure the screw into each of the two holes.
- Attach the valance return joinery if needed (Outside Mount).



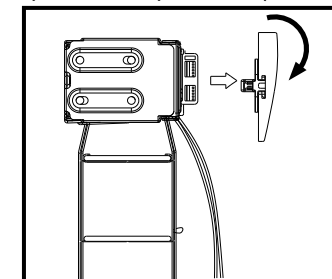
- Attach the valance to the headrail by inserting the plugs into the receptors. Refer to the following drawing. Slightly move the receptors left or right along the headrail so the plugs are in alignment with receptors to ensure right insertion of plug.



- If you wish to adjust the valance position vertically, pull out the valance and reinsert into the desired position.



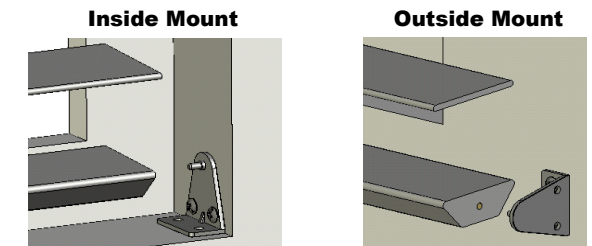
- When removing the valance from the headrail, hold the valance as shown on the picture and pull it out (do not flip upward).



Step 4. Additional Attachments

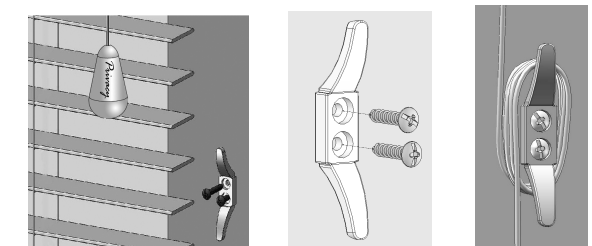
Hold down brackets

- Attach the hold down brackets against a flat surface, horizontally or vertically, parallel to the bottom rail. Make sure the protruding area is aligned with the hole on the side of the bottom rail. Secure the hold down bracket into the bottom rail on both sides to keep blinds in desired location.



Cord Cleat

- Install the cord cleat on the wall next to the pull cords and out of the reach of children. Secure the screw into each of the two holes. Wrap the pull cords around the cord cleat for child safety.



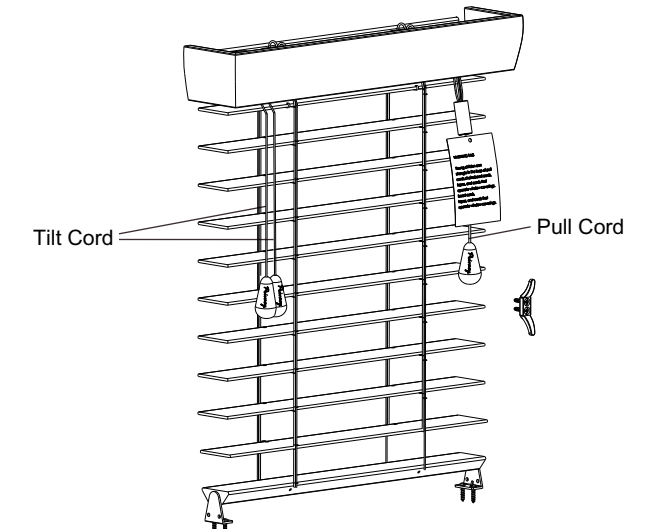
Step 5. Operating your blind

Tilt Cord

- Each cord with individual tassels when pulled will tilt the slats in alternate directions.

Pull Cord

- Pull the cords to raise and lower the blind. The slats need to be open when raising or lowering the blind. The proper way to raise the blind is to support the bottom rail with your hand while pulling on the cords. Release the cords straight downward or toward the outside of the blind to lock the position. Pull toward the centre to release the blind from the locked.



Cleaning Instructions

Keep your blind looking its best by periodically wiping it with a soft cloth, a dusting mitt, or the round brush attachment from a vacuum cleaner. You can clean the blind hanging in place or you can take it down. By tilting the slats down, but not quite closed, you'll be able to clean most of the top surface of each slat. Do not use solvents or abrasive solutions to clean the blind. This will cause damage to the blind which is not covered under warranty. Blind can also be cleaned with a soft damp cloth and mild detergent.